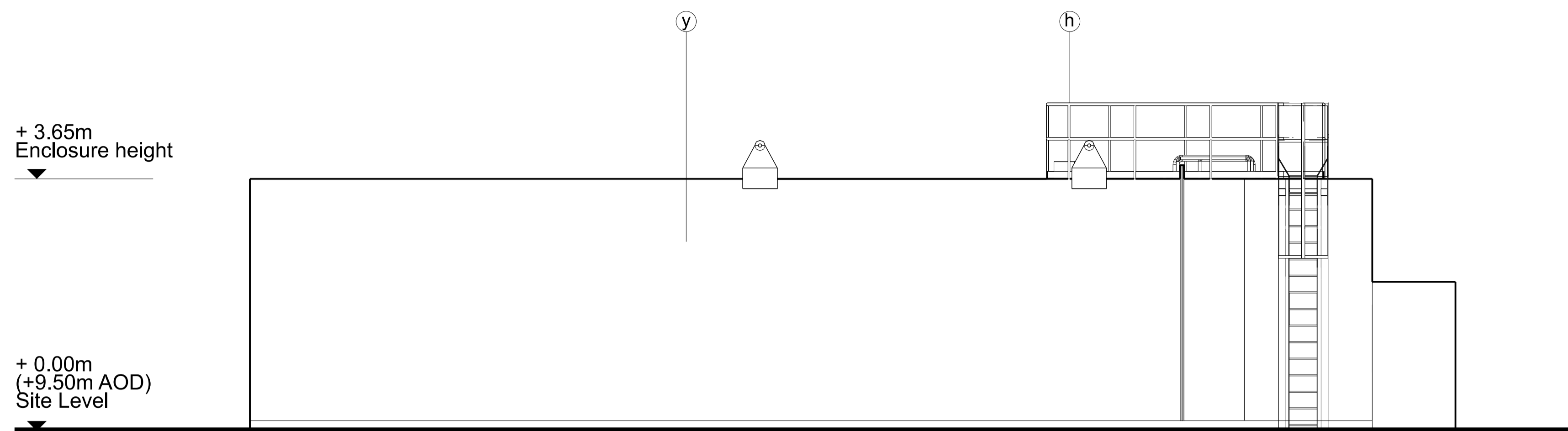
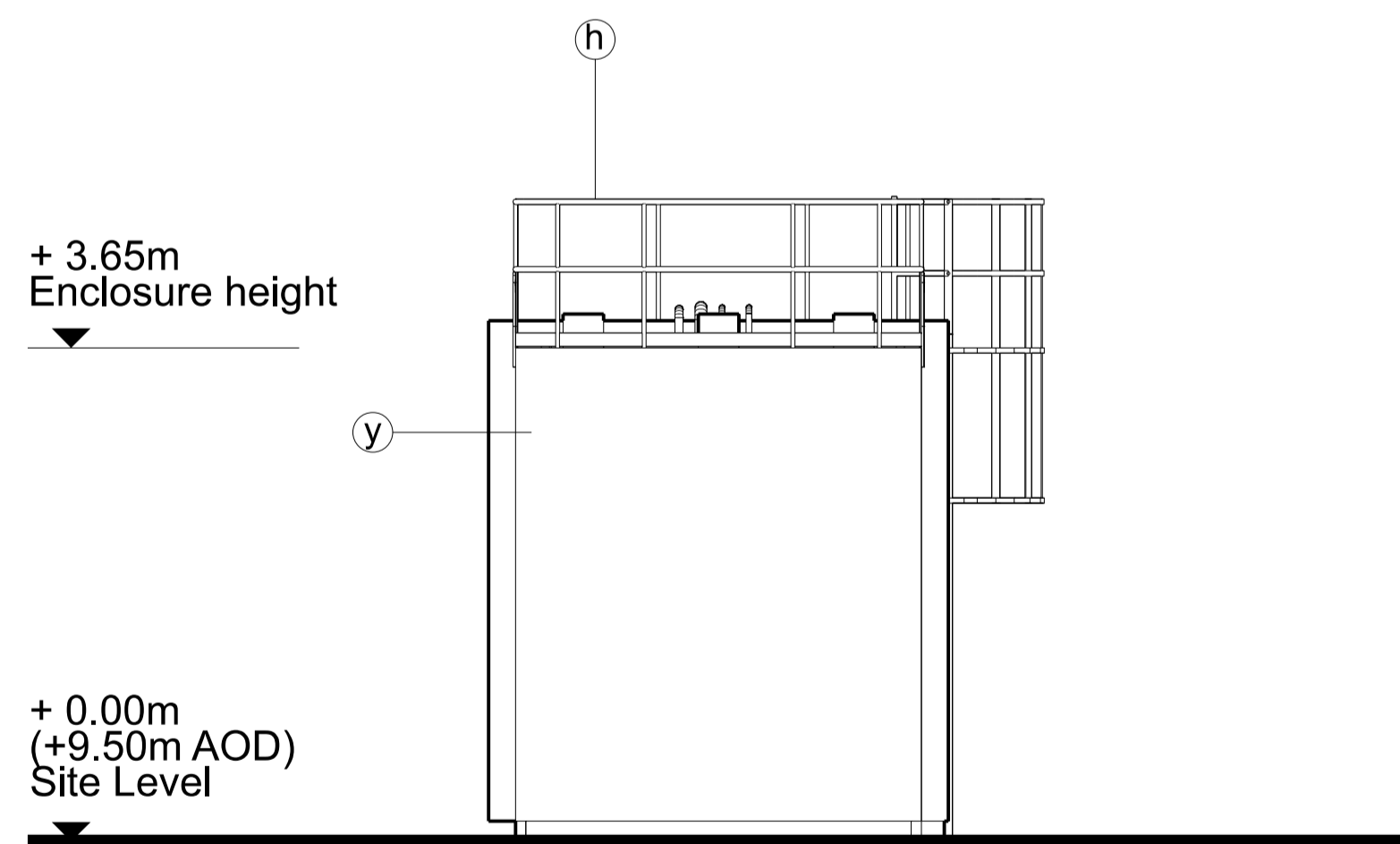


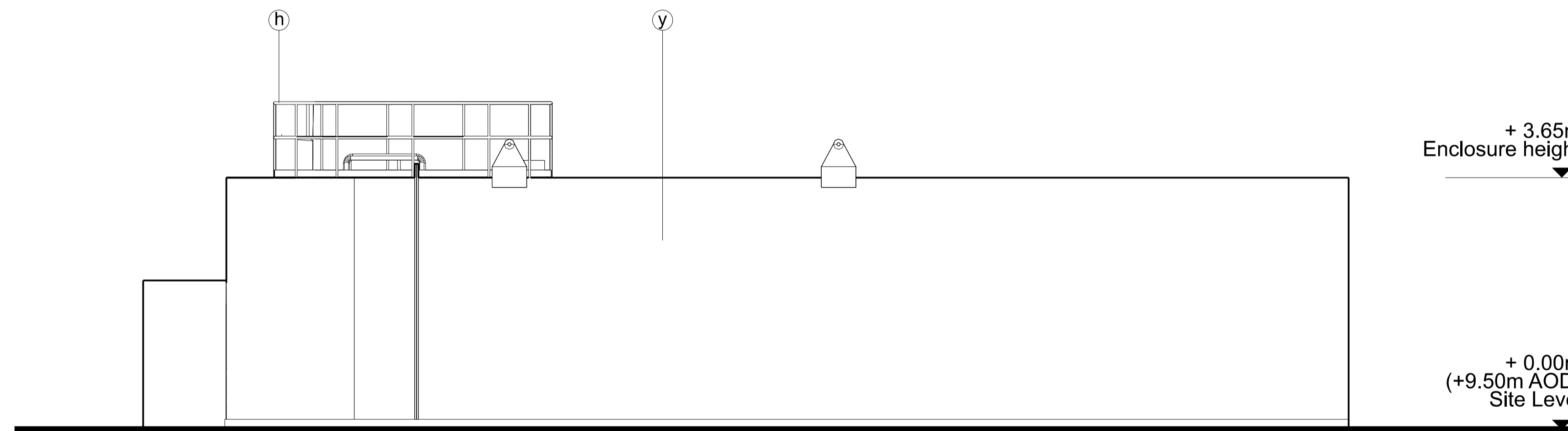
North Elevation



East Elevation



South Elevation



West Elevation

**NOTE**  
 1. THIS DRAWING IS COPYRIGHT GSDA LTD.  
 2. THE CONTRACTOR MUST NOT SCALE FROM THE DRAWING ALL DIMENSIONS TO BE TAKEN FROM DIMENSION STRINGS.  
 3. WHERE ANY DISCREPANCIES ARE FOUND BETWEEN DIMENSIONS THESE MUST BE BROUGHT TO THE ATTENTION OF THE ARCHITECT'S FOR RESOLUTION.  
 4. WHERE DISCREPANCIES EXIST BETWEEN REFERENCE OR ASSEMBLY DRAWINGS & DETAIL DRAWINGS, THE LATTER TAKE PREFERENCE.

**LEGEND** All materials, finishes and colours will be as stated or similar approved.

- Ⓔ Composite Metal Insulated Wall Cladding System or similar. Flashing to match. Colour: Anthracite (RAL 7016)
- Ⓕ Kalzip AluPlusPalina standing seam aluminium cladding. Finish: Natural aluminium mill finish, standard
- Ⓖ PPC Metal Flashing. Colour: Seren Copper
- Ⓖ Metal roller shutter doors. Vision panels where indicated. Colour: To match adjacent cladding
- Ⓖ PPC steel personnel / access doors Colour: To match adjacent cladding
- Ⓖ PPC Metal louvers and louvre doors Colour: To match adjacent cladding
- Ⓖ Stack Casing & Ducts Colour: Hamlet (RAL 9002)
- Ⓖ Galvanised steel railings and ladders
- Ⓖ Concrete bunds, plinths and upstands
- Ⓖ Aluminium Window System Finish: Polyester powder coated Colour: Anthracite (RAL 7016) Glazing to be clear
- Ⓖ PPC Casing to metal columns Colour: Anthracite (RAL 7016)
- Ⓖ PPC Tanks, Silos and bicycle shelter Colour: Anthracite (RAL 7016)
- Ⓖ Trapezoidal Roof Cladding / Flashing Colour: Goosewing Grey (RAL 7036)
- Ⓖ Flat roofing - single ply membrane system Colour: Merlin Grey RAL 180 40 05
- Ⓖ PPC Casing to metal columns Colour: Anthracite (RAL 7016)
- Ⓖ PPC Tanks, Silos and bicycle shelter Colour: Anthracite (RAL 7016)
- Ⓖ Sheffield type bicycle rack Colour: Anthracite (RAL 7016)
- Ⓖ Polycarbonate wall and roof panels to bicycle shelter Colour: Clear
- Ⓖ Paladin Weldmesh Anti-Climb Security Fencing and gates Colour: Anthracite (RAL 7016) / Green (RAL 6005)
- Ⓖ Paladin Security Fencing and gates Colour: Anthracite (RAL 7016)
- Ⓖ Steel Louvre Fencing Colour: Anthracite (RAL 7016) / Green (RAL 6005)
- Ⓖ Estate Fencing Colour: Black (RAL 9005)
- Ⓖ Diamond Kneel Rail Fencing Finish: Timber
- Ⓖ Steel E-Containers and EDG Housing Colour: Anthracite (RAL 7016)
- Ⓖ PV / Photovoltaic Panel

**PROJECT** Grangetown Energy Recovery Facility  
**DRAWING** Fuel Oil Tank Elevations  
**SCALE** 1:100@A3/1:50@A1  
**DWG. NO.** 1425 PL324  
**DATE** 23/03/31  
**REVISION** B 22/02/28

NO.	DATE	DESCRIPTION	BY	CHKD	ISSUED FOR
-	21/06/28	Preliminary Issue	B	23/03/31	Issued for Discharge of Reserved Matters
A	21/11/23	Updated			
B	22/02/28	Updated			



01 Meadlake Place, Thorpe Lea Rd, Egham, Surrey TW20 9HE, United Kingdom  
 T: 01932 629139